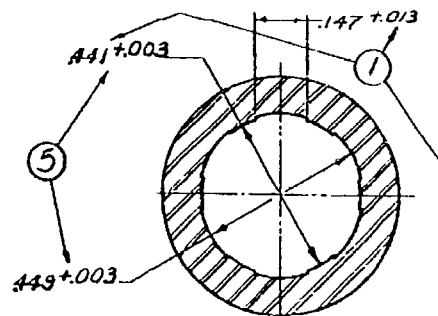
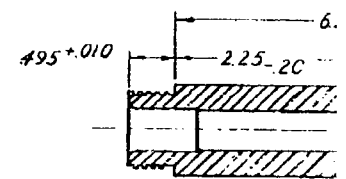
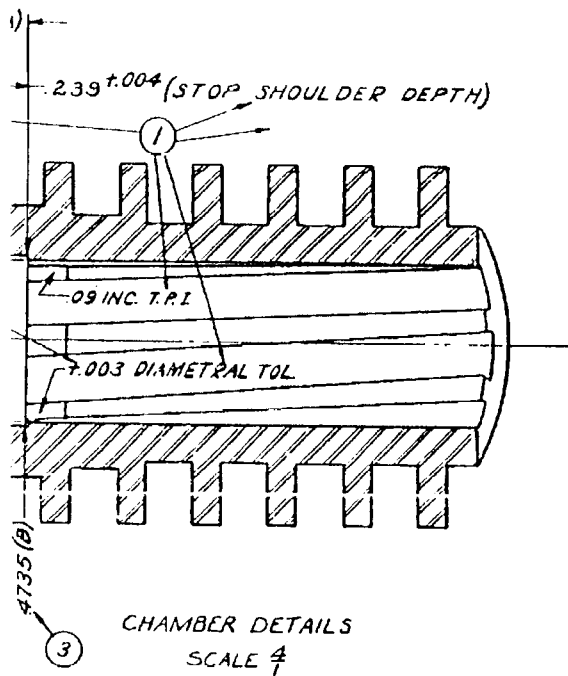
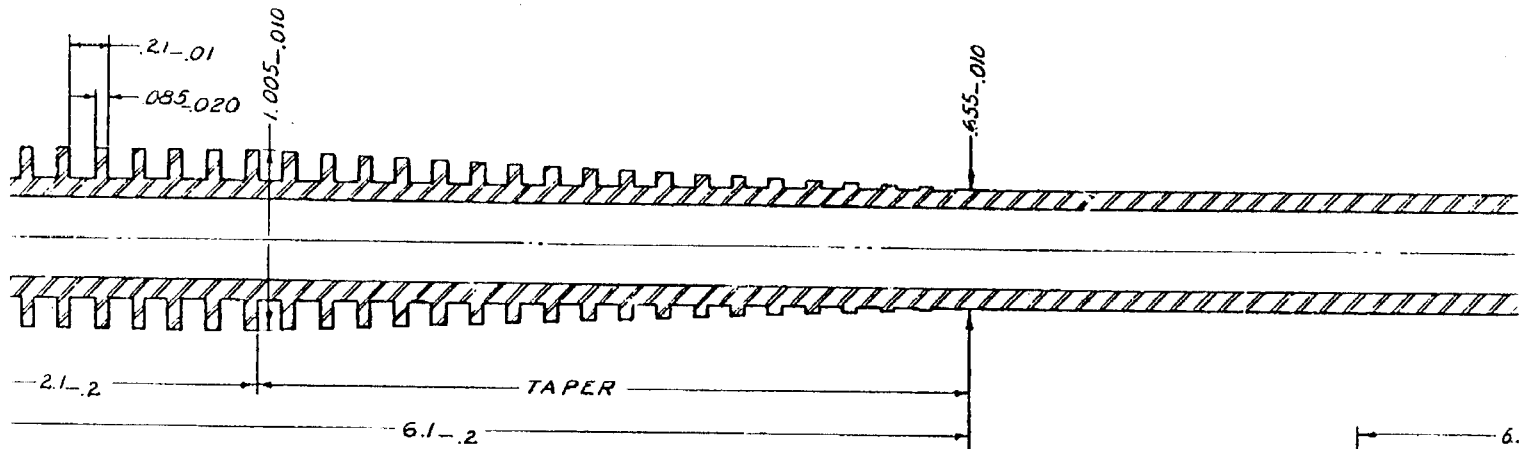
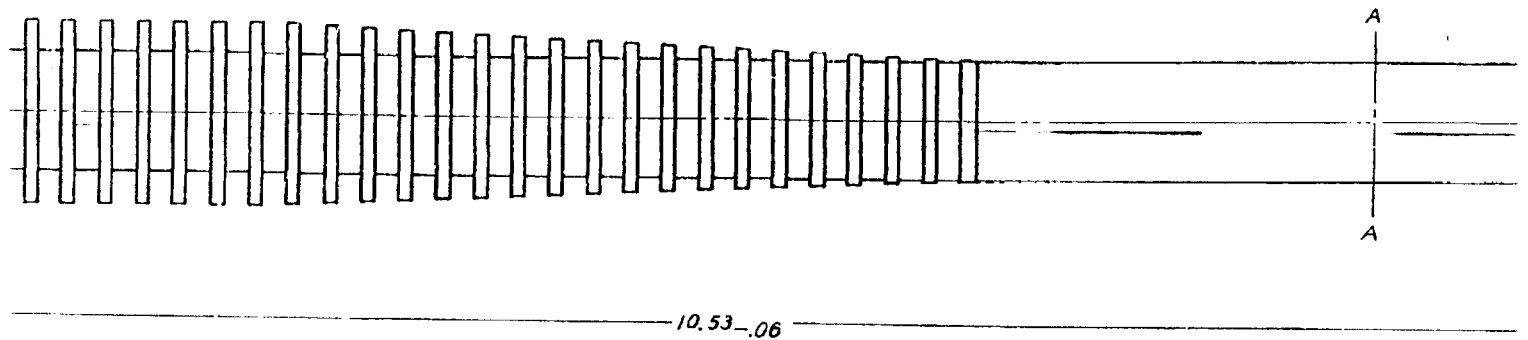


MATCH
GAGE
ON
S12



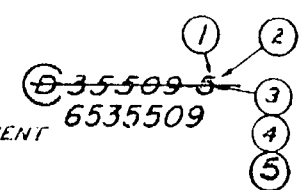
SECTION A-A
SCALE 4

RIFLING: 6 GROOVES. 1 TURN IN 16 INCHES. R.H.
UNIFORM TWIST

N/C
B
D

EAT.

BARREL
FINISH F
MANUFACTURING COMPONENT



NOTICE: TO
REPRODUCE
REPAIR PART
USED BY ST.