

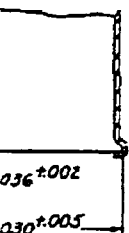
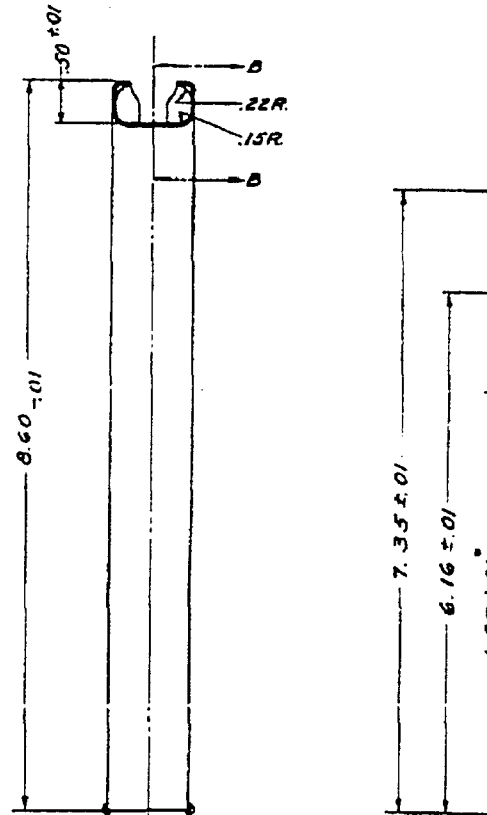
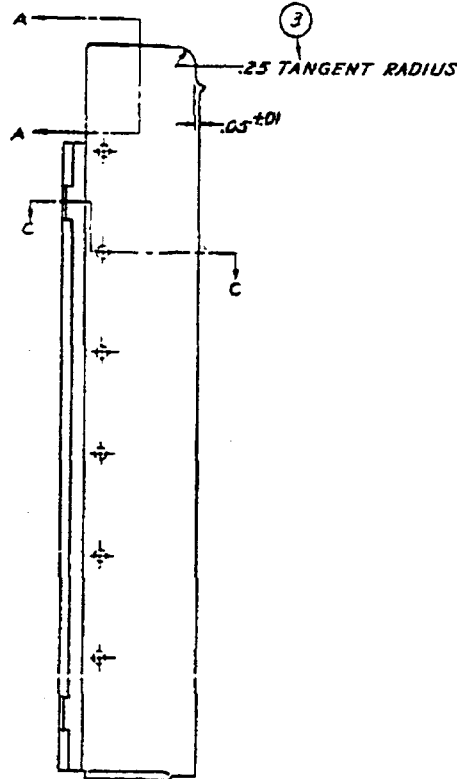
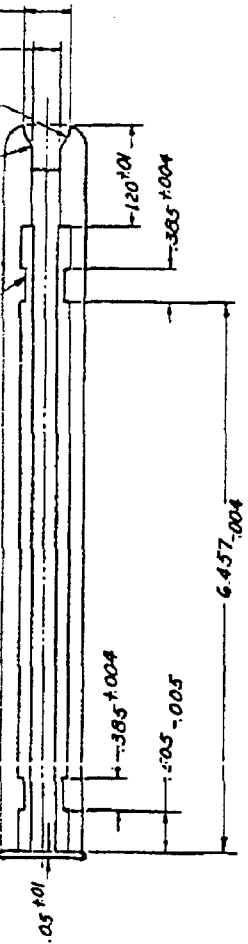
MUST BE SMOOTH HER  
BREAK SHARP CORN

WITH FORMING TOOL

SECTION B-B WITH FORMING TOOL

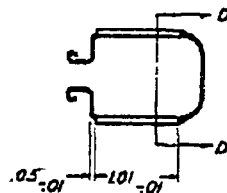
SECTIONAL VIEWS SHOWING METHOD OF USING  
FORMING TOOL TO SHAPE MOUTH OF MAGAZINE BODY

SCALE  $\frac{2}{1}$

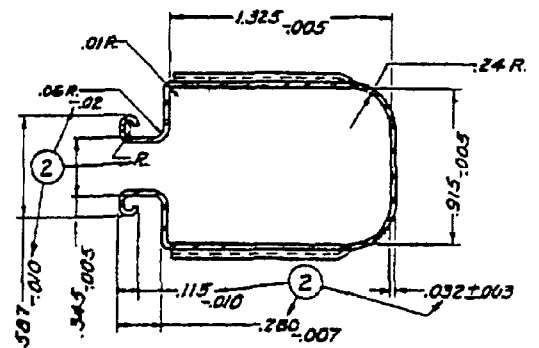


SECTION D-D

SCALE  $\frac{2}{1}$



6535507 (3) (4)  
**BODY, MAGAZINE** (3) 35507  
 STEEL - W.D. 1025  
 FINISH F  
 MANUFACTURING COMPONENT  
 (1) (2)



SECTION C-C

SCALE  $\frac{2}{1}$

D6535507

SCA