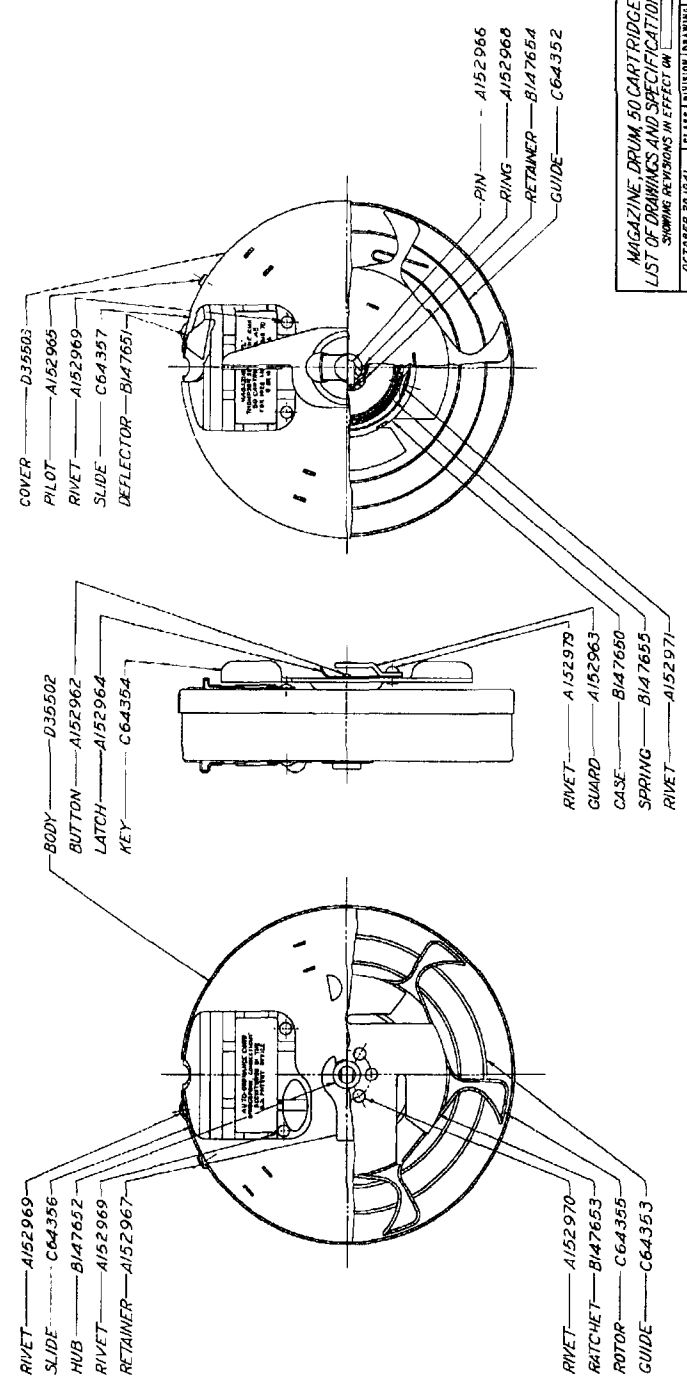


LINE NUMBER	LIST OF DRAWINGS	DRAWING NUMBER	REVISION
1	MAGAZINE, DRUM, 50 CARTRIDGE	D35505	
2	LIST OF PARTS	B1A7648	
3	LIST OF PARTS	B1A7649	
4	LIST OF AUTHORIZED ASSEMBLIES	B1A7650	
5	LIST OF AUTHORIZED ASSEMBLIES	B1A7651	
6		A152962	
7		A152963	
8		A152964	
9		A152965	
10		A152966	
11		A152967	
12		A152968	
13		A152969	
14		A152970	
15		B1A7652	
16		B1A7653	
17		B1A7654	
18		B1A7655	
19		B1A7656	
20		C64356	
21		C64357	
22		C64358	
23		C64359	
24		C64360	
25		C64361	
26		C64362	
27		C64363	
28		C64364	
29		C64365	
30		C64366	
31		C64367	
32		C64368	
33		C64369	
34		C64370	
35		C64371	
36		C64372	
37		C64373	
38		C64374	
39		C64375	
40		C64376	
LINE NUMBER	LIST OF SPECIFICATIONS	SPECIFICATION NUMBER	REVISION
1	GENERAL SPECIFICATION GOVERNING THE MANUFACTURE AND INSPECTION OF SMALL ARMS	US AR 150	
2	INCORPORATES SPARE AND REPLACEMENT PARTS		
3	AND ACCESSORIES		
4	SPECIFICATION FOR INSPECTION OF FINISHES	US AR 150	
5	SPECIFICATION FOR MARKING SHIPMENTS	US AR 150	
6	CONTRACTS		
7	STEEL CARBON AND ALLOY SHEETS AND STRIPS	US AR 150	
8	(STEEL) (SPRING) SPECIAL COLD-ROLLED STRIP	US AR 150	
9	(STEEL) (SPRING) SPECIAL COLD-ROLLED STRIP	US AR 150	
10	(UNPAIRED)		
11	STEEL CARTRIDGE CLEAR STRIP AND RIFLE SPECIAL	US AR 150	
12	UNPAIRED		
13	STEEL CARBON (GENERAL PURPOSE)	US AR 150	
14	STEEL CARBON (GENERAL PURPOSE)	US AR 150	



REVISIONS	DATE	BY	REASON
1	17-29-49	W. J. H.	ISSUED
2	3-23-50	W. J. H.	REVISED

MAGAZINE, DRUM, 50 CARTRIDGE
 LIST OF DRAWINGS AND SPECIFICATIONS
 SHOWING REVISIONS IN EFFECT ON

CLASSIFICATION (DRAWING FILE)
 SYMBOL

DESIGNED BY
 CHECKED BY
 DRAWN BY
 SUBMITTED BY

EXAMINED BY
 U.S. COL. DR. DEPT. U.S.A.
 B-53 10386-12261

ORG. PERTAINS TO
 U.S. COL. DR. DEPT. U.S.A.
 B-53 10386-12261

ORIG. DEPT. U.S.A.
 CHIEF OF BUREAU OF THE
 COL. DR. DEPT. U.S.A.
 B-53 10386-12261

ORIGINATOR'S OFFICE, WAR DEPT.

