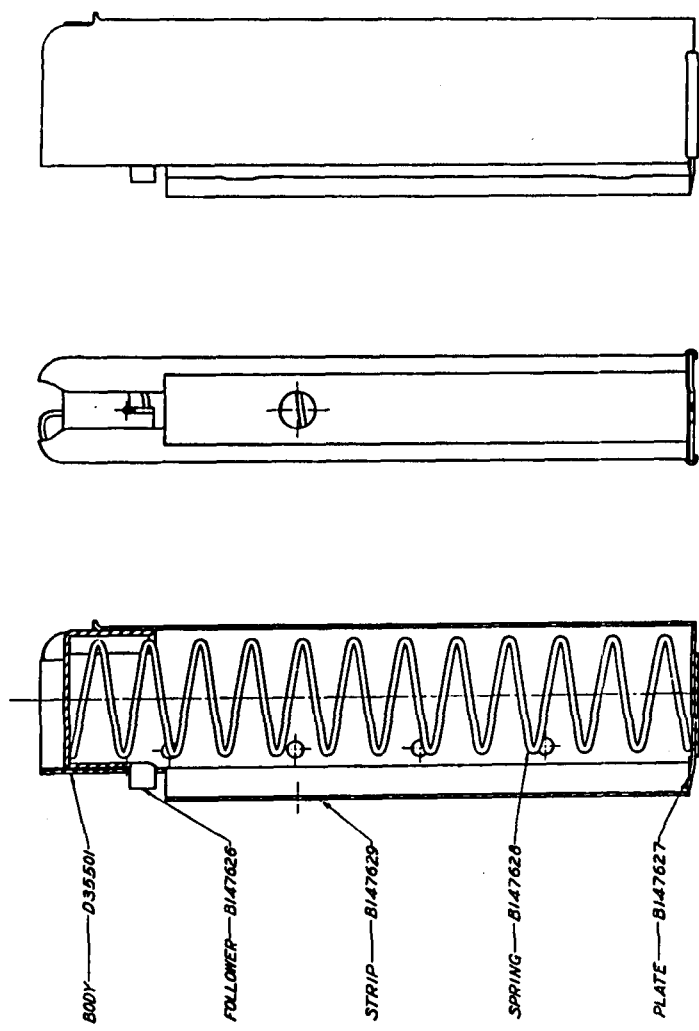
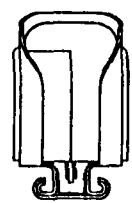


| LIST NUMBER | LIST OF DRAWINGS   | DRAWING NUMBER       | REVISION |
|-------------|--|----------------------|----------|
| 1           | MAGAZINE, BOX 20 CARTRIDGE   | D63500               |          |
| 2           | LIST OF PARTS  | D17629               |          |
| 3           | LIST OF AUTHORIZED ASSEMBLIES  | D17627               |          |
| 4           |  | D17628               |          |
| 5           |  | D17627               |          |
| 6           |  | D17628               |          |
| 7           |  | D17629               |          |
| 8           |  | CLASS                |          |
| 9           |  | D63500               |          |
| 10          |  |                      |          |
| 11          |  |                      |          |
| 12          |  |                      |          |
| LIST NUMBER | LIST OF SPECIFICATIONS   | SPECIFICATION NUMBER | REVISION |
| 1           | GENERAL SPECIFICATION GOVERNING THE MANUFACTURE AND INSPECTION OF SMALL ARMS WEAPONS AND ACCESSORIES | 14-1545              |          |
| 2           | DETAILS GENERAL SPECIFICATION FOR INSPECTION OF WEAPONS  | 14-1545-1            |          |
| 3           | STEEL CARTRIDGE AND ALUM SHEETS AND STRIPS   | 14-1545-2            |          |
| 4           | STANDARD SPECIFICATION FOR MARKING SHIPMENTS BY CONTRACTORS  | USA 884-2            |          |
| 5           | WIDE STEEL SPRING FOR SMALL ARMS WEAPONS   | USA 884-3            |          |
| 6           | FRAMES, PROTECTIVE FOR IRON AND STEEL PARTS  | USA 884-4            |          |
| 7           |  |                      |          |
| 8           |  |                      |          |
| 9           |  |                      |          |
| 10          |  |                      |          |
| 11          |  |                      |          |
| 12          |  |                      |          |



MAGAZINE, BOX 20 CARTRIDGE  
LIST OF DRAWINGS AND SPECIFICATIONS  
SHOWING REVISIONS IN EFFECT ON

| REVISIONS | CLASSIFICATION | DATE   |
|-----------|----------------|--------|
| 1         | 14-1545-1      | 1-2-27 |
| 2         | 14-1545-2      | 1-2-27 |
| 3         | 14-1545-3      | 1-2-27 |
| 4         | 14-1545-4      | 1-2-27 |
| 5         | 14-1545-5      | 1-2-27 |
| 6         | 14-1545-6      | 1-2-27 |
| 7         | 14-1545-7      | 1-2-27 |
| 8         | 14-1545-8      | 1-2-27 |
| 9         | 14-1545-9      | 1-2-27 |
| 10        | 14-1545-10     | 1-2-27 |
| 11        | 14-1545-11     | 1-2-27 |
| 12        | 14-1545-12     | 1-2-27 |

CLASSIFICATION: 14-1545-12  
DATE: 1-2-27

DESIGNED BY: [Signature]  
CHECKED BY: [Signature]  
APPROVED BY: [Signature]  
CAPT. ORG. DEPT. U.S.A.  
MAGAZINE, BOX 20 CARTRIDGE  
ORANGE OFFICE, WAR DEPT.

D63500