

HEAT TREATMENT & FINAL FINISH

PHYSICAL PROPERTIES

Y.P.  
T.S.  
EL 2  
RED.  
BR.  
ROCK.

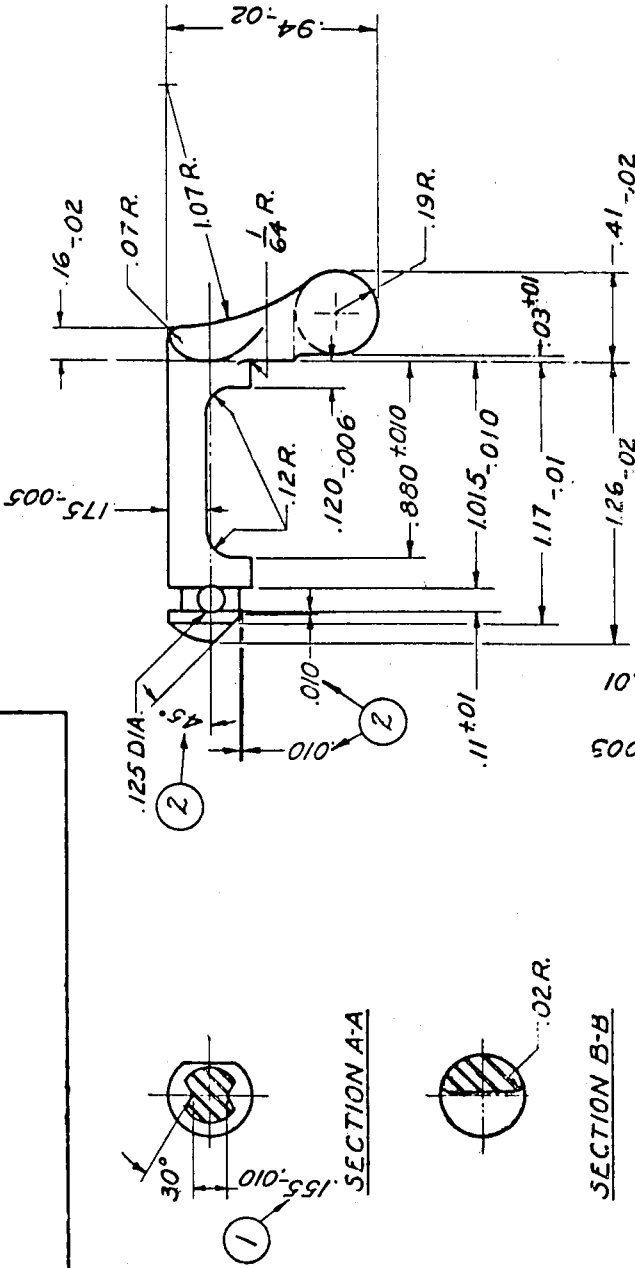
DEC 31, 1941

REVISIONS

1 <sup>a</sup>	4-30-43
2 <sup>b</sup>	8-30-43
3	12-30-43

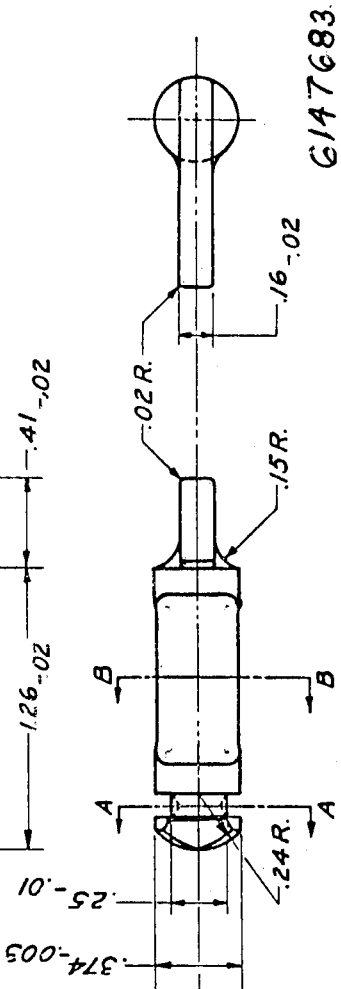
DRG. PERTAINS TO

51-63 .45 SMG-M28A1



SECTION A-A

SECTION B-B



**SAFETY FINISH**  
B147683-2

REF. DRG. A.O.C. 45-17

SCALE  $\frac{2}{1}$

B147683

DRAFTSMAN	TRACER	LOG OFFICER
A.P.M.	H.M.F.	G.P.O.
CHECKER	S.J.V.	CHIEF DRAFTSMAN
E.H.	E.G.W.	J.A.
SUBMITTED: 12 14 41		

L.T. COL. G.D. BUTLER  
 APPROVED BY ORDER OF THE  
 CHIEF OF ORDNANCE:

J. GUARNATACHI  
 COL. ORD. DEPT., U. S. A.  
 ORDNANCE DEPT., U. S. A.

**OBSOLETE**

TOLERANCE ± .005 ALLOWED ON ALL DIMENSIONS UNLESS OTHERWISE SPECIFIED.