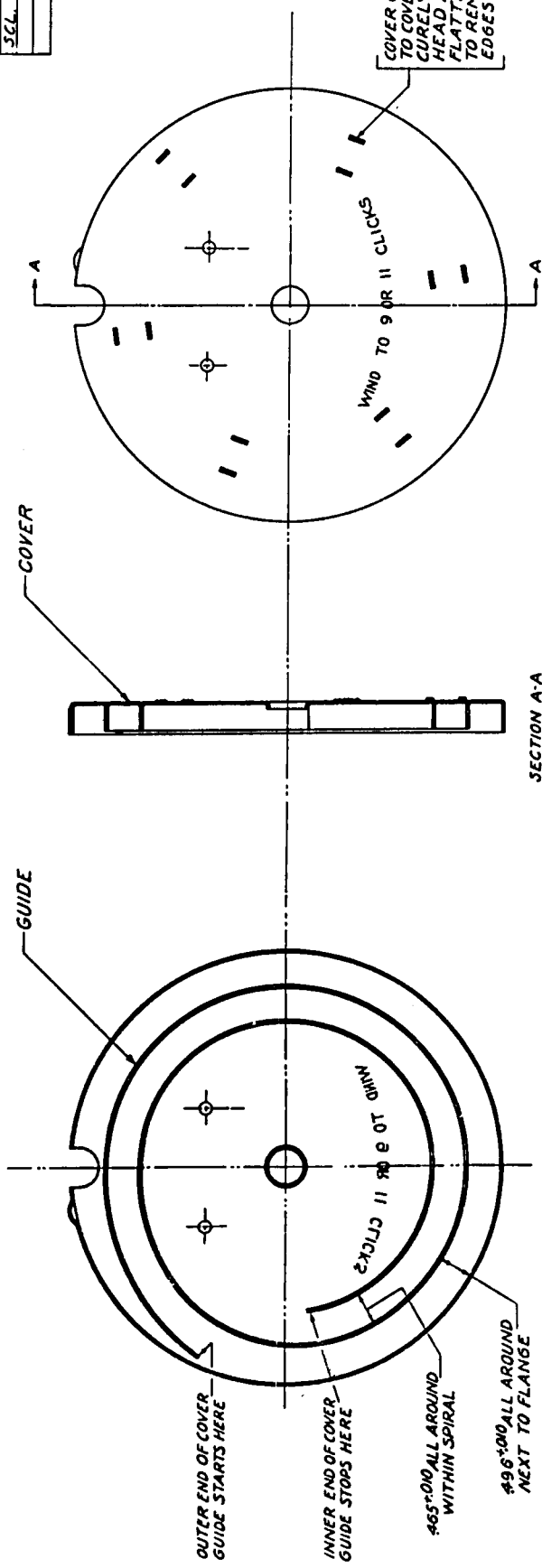


HEAT TREATMENT & FINAL FINISH

PHYSICAL PROPERTIES	
Y.P.	
T.S.	
EL. 2	
RED	
BR.	
ROCK.	
SCL.	

OCTOBER 29, 1941	
REVISIONS	
1	10-28-41

DRG PERTAINS TO	
035503	COVER, MAGAZINE, ASSEMBLY
064360	COVER, MAGAZINE, ASSEMBLY



COVER, MAGAZINE, ASSEMBLY ~~C-64360~~ 5564360  
MANUFACTURING ASSEMBLY

LINE NUMBER	DRAWING NUMBER OR PIECE MARK	NAME OF COMPONENT	3	4
1	C64360	COVER, MAGAZINE, ASSEMBLY	*	(1) NO REQUIRE
2	035503	1-COVER, MAGAZINE	*	
3	C64353	1-GUIDE, COVER	*	

\*WILL NOT BE ISSUED FOR FIELD MAINTENANCE EXCEPT AS COMPONENTS OF AUTHORIZED ASSEMBLIES. TOLERANCE ±. ALLOWED ON ALL DIMENSIONS UNLESS OTHERWISE SPECIFIED.

C5564360

REF: UNITED AIR CLEANER CO. DRG. NO. 50,027



SYMBOL	
1	COVER, MAGAZINE, ASSEMBLY
2	COVER, MAGAZINE
3	GUIDE, COVER

ORDNANCE DEPT. U.S.A.