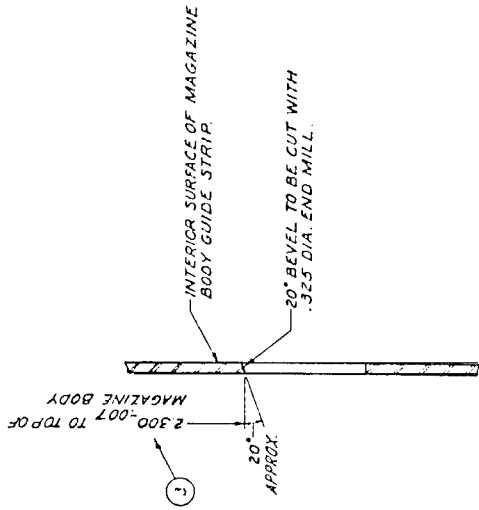
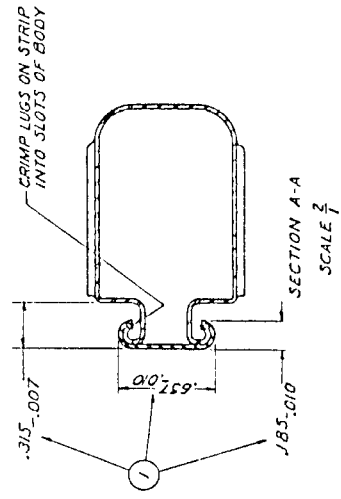


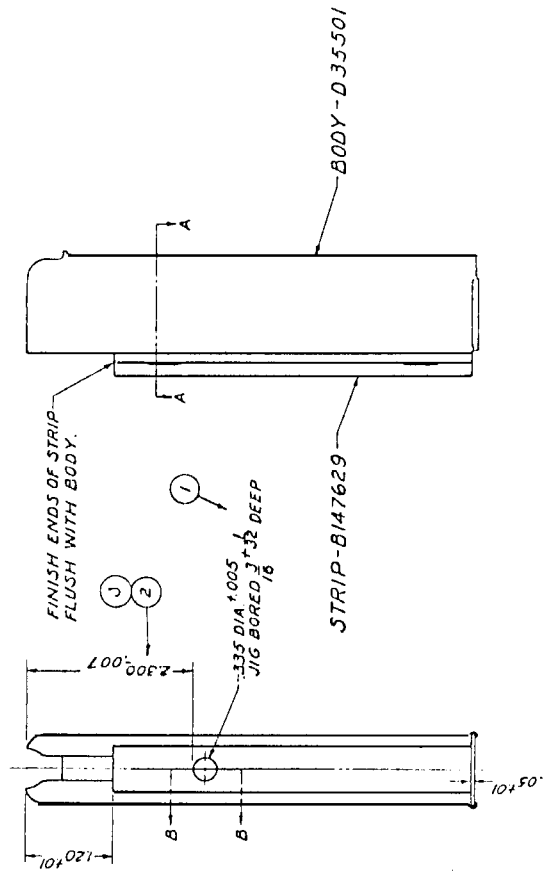
HEAT TREATMENT & FINAL FINISH  
PENETRATE



SECTION B-B  
SCALE  $\frac{5}{1}$



SECTION A-A  
SCALE  $\frac{2}{1}$



TUBE, MAGAZINE, ASSEMBLY 5564349  
6-64349

1	2	3	4
LINE NUMBER	DRAWING NUMBER OR PIECE MARK	NAME OF COMPONENT	PER UNIT ASSEMBLY
1	C 64349	TUBE, MAGAZINE ASSEMBLY	1
2	D35501	1- BODY, MAGAZINE	*
3	B147629	1- STRIP, MAGAZINE BODY GUIDE	*
4			
5			

\* WILL NOT BE ISSUED FOR FIELD MAINTENANCE EXCEPT AS COMPONENTS OF AUTHORIZED ASSEMBLIES.  
TOLERANCE ± .01 ALLOWED ON ALL DIMENSIONS UNLESS OTHERWISE SPECIFIED.

PHYSICAL PROPERTIES
I.P.
I.S.
ELL.P.
R.C.D.
BR.
ROCK
SGL.

AUGUST 28, 1941	REVISIONS
1	111-16-42
2	110-15-43
3	1123-43
4	110-16-57

DRG. PERTAINS TO
D35500 MAGAZINE, BOX
20 CARTRIDGE

SYMBOL
UT - UNTESTED
AS - APPROVED
CS - CHECKED
CO - CONFIRMED
CP - COMPLETED
CR - CORRECTED
DC - DESIGN CHECKED
DR - DRAWING REVISION
EC - ENGINEER CHECKED
EP - ENGINEER PENDING
ES - ENGINEER SUPERSEDED
IS - ISSUED
LS - LOCKED
MS - MODIFIED
NS - NOT SPECIFIED
OS - OBSOLETE
PS - PROPOSED
RS - REVISION
SS - SUPERSEDED
TS - TECHNICAL SUPERSEDED
US - UNDER REVIEW
VS - VERIFIED
WS - WORKING
XS - X-RAY
YS - YIELD
ZS - ZONE

C5564349  
REF. DRG. S.A. 15305  
6-64349  
PERFORMANCE DEPT USA  
SUPERSEDES C64349

