

A-153004

HEAT TREATMENT & FINAL FINISH

PHYSICAL PROPERTIES

DEC. 31, 1941

Y.P.
T.S.
EL.2

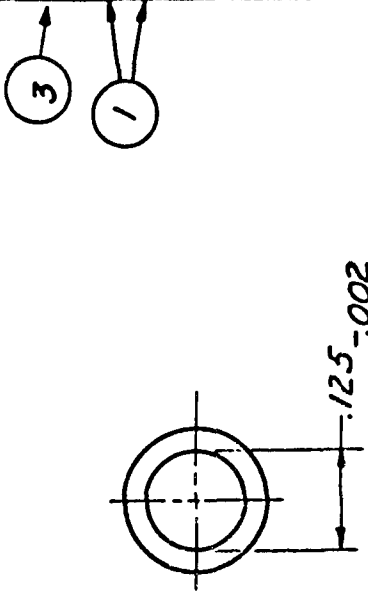
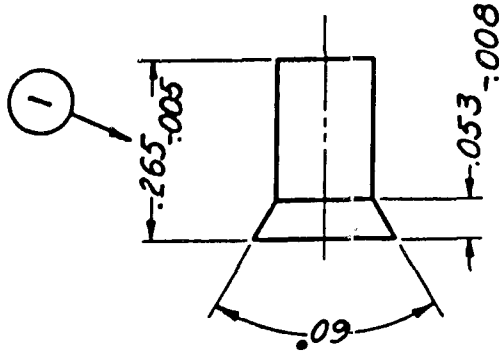
RED.
BR.

ROCK.

REVISIONS

1'	9-30-42
2	CONVERSION 10-18-51
3'	2-18-52

DO NOT INSCRIBE PART NO.



DR'G. PERTAINS TO

ORD DIV STD
SMALL ARMS

C5564385

C563655

51-116

51-63

51-124

RIVET, REAR SIGHT
FINISH ^f

5153004
A-153004

MANUFACTURING COMPONENT

TOLERANCE ±.01 ALLOWED ON ALL DIMEN-
SIONS UNLESS OTHERWISE SPECIFIED.

SCALE 5/1

REF. DRG. A.O.C. N 42-87
A5153004

A-153004

OFFICER	TRACER	LDG. OFFICER
MJO.	M.M.F.	S.P.O.
CHECKER	W.S.A.	CHIEF OFFICER
W.M.	W.C.	W.A.

UNSUBMITTED.

W.C. Sinton

LT. COL. ORD. DEPT., U. S. A.

APPROVED BY ORDER OF THE
CHIEF OF ORDNANCE:

J. H. A. A. A.

COL. ORD. DEPT., U. S. A.

ORDNANCE DEPT., U. S. A.

SUPERSEDES A153004

A5153004